



# LIGHT & ENERGY

## TF IM5.5Y



### FEATURES

- Zinc plated telescopic mast
- Manual winch raise/lower
- Wind proof up to 80Km/h
- Two axes manually adjustable floodlights
- Bunded base
- Trolley with wheels and handles
- On/off switches one for each lamp
- 2 adjustable stabilisers, extensible
- Safety lock
- Super silenced
- Single point lifting eye and forklift pockets
- Meets EC directives for noise and safety

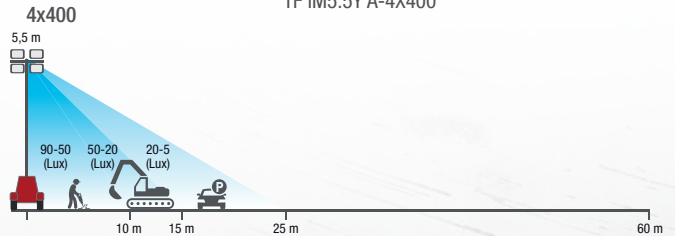
	TF IM5.5Y L-4X150	TF IM5.5Y J-4X400
Lamps type and numbers	LED N° 4	METAL HALIDE N° 4
Illuminated area	1800 mq	1800 mq
Lux average	18	19
Total lumen	76300 lm	140000 lm
Lamps power	150W	400W
Color temp.	5700 K	5500 K

### TRASPORTO

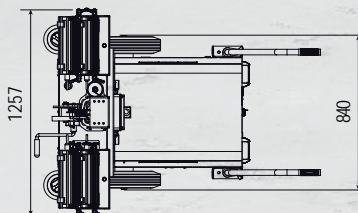
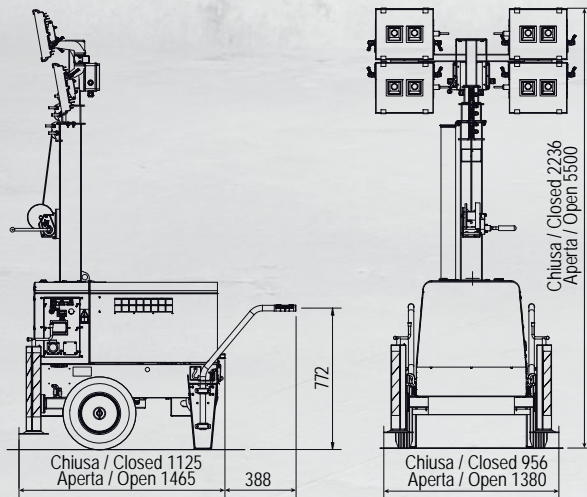
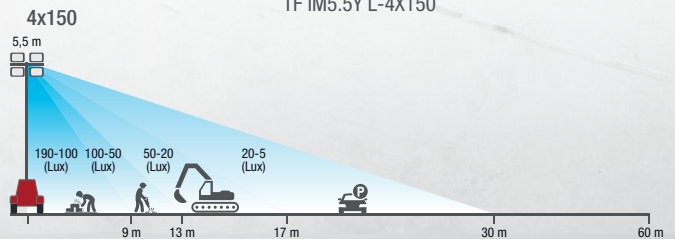


	ON BASE	SITE TOW TRAILER
TRUCK 13.60 m	22 towers	14 towers
CONTAINER 12 m	20 towers	12 towers
CONTAINER 5 m	8 towers	6 towers

TF IM5.5Y A-4X400



TF IM5.5Y L-4X150



# TECHNICAL DATA

## LIGHTS AND MAST

LAMP TYPE:	4X150 W - LED   4X400 W - METAL HALIDE
MAST ROTATION:	/
MAST:	TELESCOPIC - MANUAL

## GENERAL CHARACTERISTICS

WIND LOAD STABILITY:	UP TO 80 km/h
TANK CAPACITY:	23 l
RUNNING TIME:	44h (LED)   32h (METAL HALIDE)   19h GENERATOR
IP PROTECTION:	IP 23 (IP 55 LAMPS)
ACOUSTIC POWER:	LwA = 93 dBA LpA = 68 dBA @ 7 m
STABILIZERS:	2 ADJUSTABLE EXTENSIBLE
WEIGHT (DRY):	335 kg (BASE ASSEMBLY)

## 4-STROKE DIESEL ENGINE, DIRECT INJECTION, AIR COOLING

MODEL:	YANMAR L70N
STAND-BY NET POWER:	4.5 kW
PRP NET POWER:	4.1 kW
CYLINDERS / DISPLACEMENT:	1 / 320 cm <sup>3</sup>
SPEED:	3000 rpm
FUEL CONSUMPTION:	0.5 ÷ 1.2 l /h (min-max);
BATTERY:	12V - 38Ah

## GENERATOR

ALTERNATOR:	4.2 kVA, SINGLE-PHASE, SYNCHRONOUS, BRUSHLESS, 2 POLS - COS j = 0.9 - INSULATION CLASS = H
OUTPUT POWER   SOCKETS:	3.1 kVA (2.8 kW) 230V / 13.5A 50 Hz   1x230V/16A 2P+T CEE 3.1 kVA (2.8 kW) 115V / 27A 50 Hz   1x115/16A 2P+T CEE



### AVAILABLE LAMPS

- TF IM5.5Y L-4X150: 4 LED
- TF IM5.5Y A-4X400: 4 HALOGEN
- TF IM5.5Y J-4X400: 4 METAL HALIDE



### VERSIONS ON REQUEST

- /



### OPTIONS ON REQUEST

- Switch for external power supply

## GENERAL INFORMATION

### COMPLIANCE GENERATING SETS WITH EC DIRECTIVES AND STANDARDS

2006/42 / EC (Machines Directive)  
 2014/35 / EU (Low Voltage Directive)  
 2014/30 / EU (EMC Directive)  
 2000/14 / EC (Directive Acoustic Emission for machines for use outdoors)  
 ISO 8528 (Reciprocating internal combustion engine driven alternating current generating sets )



ISO 9001:2015 - Cert. 0192

### WARRANTY

All devices are covered by the manufacturer's warranty.

The company reserves the right to change this specification without notice. For further information please contact the sales department.

© MOSA - Viale Europa, 59 - 20090 Cusago (Milano) - Italy - phone +39-0290352.1 - fax + 39-0290390466 E-mail: info@mosa.it Web site: www.mosa.it

